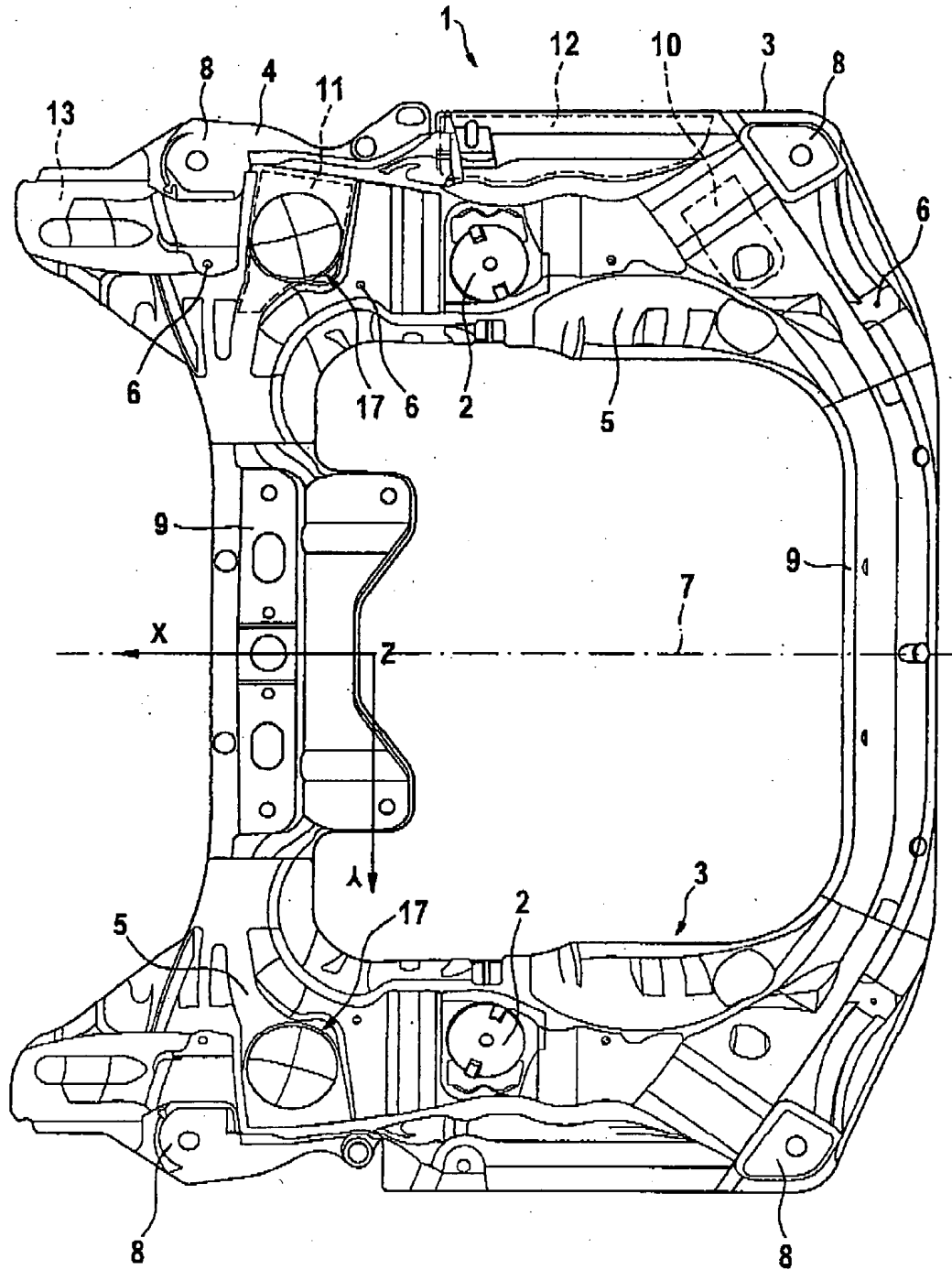


Application No: 10/506,761
Replacement Sheet

Attorney Docket No: 3926.103

1 / 2

Fig. 1



2 / 2

Fig. 2

